

REV	DCO'S AFFECTING THIS DRAWING	DATE	APPROVED
A	INITIAL REL #785	4/29/97	B.H.
F	DCO # 4462 UPDATED SPECS	4/01/13	L.L.

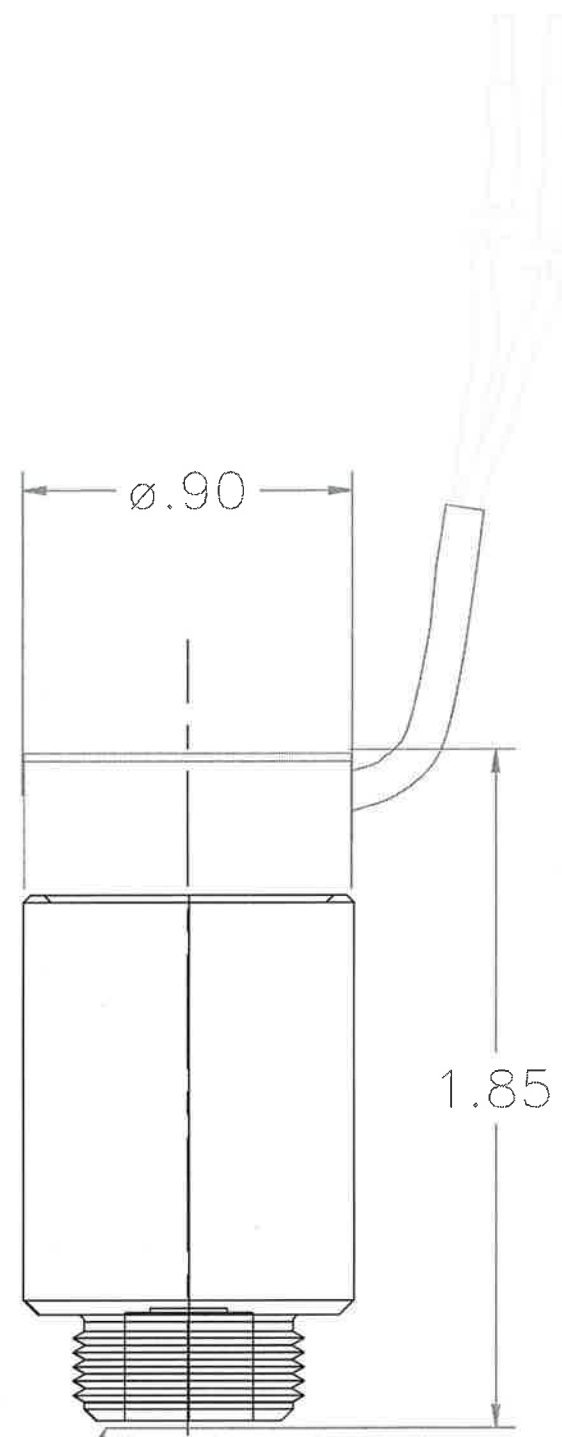
- ▶ 1. Output:
10.0 to 15.5 mV in air at 1013 millibar pressure and a temperature range of 23±2 °C
- ▶ 2. Operating Temperature:
5° to 40 °C
- ▶ 3. Maximum Storage Temperature:
-15° to 50 °C
- ▶ 4. Optimal Storage Temperature:
5° to 25 °C
- 5. Range of Measurement (Full Scale):
0 to 100% oxygen
- ▶ 6. Zero Offset:
Less than or equal to 0.50 mV when exposed to 99.9% to 100% nitrogen
- ▶ 7. 90% Response Time:
Less than or equal to 15 seconds at 23±2 °C
- 8. Linearity:
Within +/- 1.0% of full scale

- ▶ 9. Stability:
Less than 1% of full scale over an 8 hour period at constant temperature, pressure, and humidity.
- ▶ 10. Interference:
Less than 2% of full scale in presence of 75% Nitrous oxide
Less than 2% of full scale in presence of 5% Halothane
Less than 2% of full scale in presence of 5% Isoflurane
Less than 2% of full scale in presence of 5% Enflurane
Less than 2% of full scale in presence of 6% Sevoflurane
Less than 2% of full scale in presence of 15% Desflurane
Less than 2% of full scale in presence of 10% Carbon Dioxide
Less than 2% of full scale in presence of 70% Helium
- ▶ 11. Temperature Compensation:
Less than ± 3.0% from 15° to 40°C
- ▶ 12. Expected Life
> 1,500,000% oxygen hours under normal operating conditions
- ▶ 13. Humidity
5% to 95% Relative Humidity non-condensing

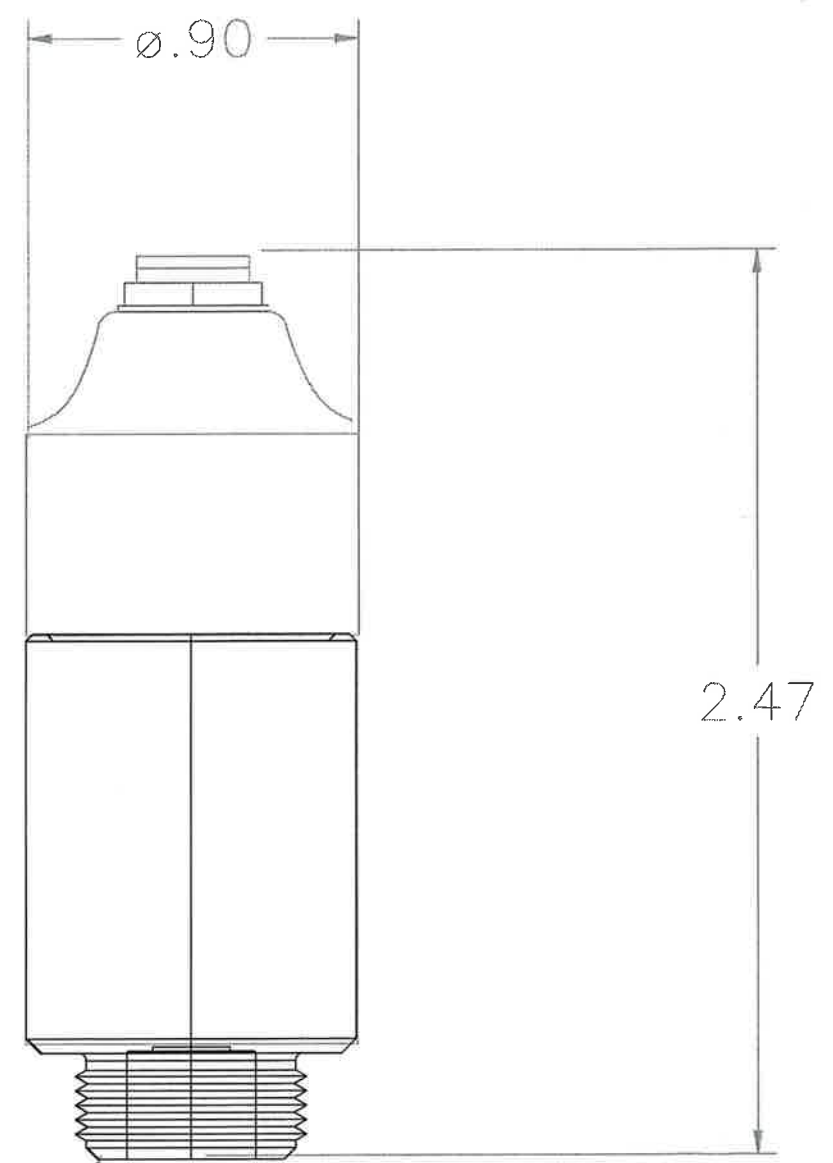
AUTHORIZED COPY
APR 5 2013
EFFECTIVE DATE
VALID ONLY IF THIS STAMP IS RED

UNLESS OTHERWISE SPECIFIED DIMENSIONS ARE IN INCHES AND PER ANSI Y14.5-1982				maxtec® SALT LAKE CITY, UTAH 84107			
.XX = ±.01 .XXX = ±.005 .XXXX = ±.002		ANGLES ±1'30"		SPECIFICATIONS MAX-250 OXYGEN SENSOR			
QA G. ROTH	03/27/13	PREP E. CUTLER	4/28/97	SIZE B	FSCM NO. 1S815	NUMBER R125P20	REV F
MFG E. MEADS	03/12/13	CHKR B. HAMATAKE	4/29/97	SCALE NONE	SHEET 1 OF 2		
		ENG T. MARSHALL	02/12/13				

R125P20 F



M16 x 1 Thread



M16 x 1 Thread

AUTHORIZED COPY
APR 5 2013
EFFECTIVE DATE
VALID ONLY IF THIS STAMP IS RED

SIZE B	FSCM NO. 1S815	NUMBER R125P20	REV F
SCALE NONE	SHEET 2 OF 2		

PROPRIETARY INFORMATION
MAXTEC

R125P20 F